

AIR HOSE REEL PRO SERIES - CONTROLLED RETURN



OPERATING INSTRUCTIONS

PRODUCT NO.

58.5012 - 32 metre x 8 mm (5/16") **Controlled Return** PU Braided Hose

58.5034 - 20 metre x 9.5 mm (3/8") **Controlled Return** PVC Braided Hose

58.5056 - 15 metre x 12.5 mm (1/2") **Controlled Return** PVC Braided Hose

58.5067 - 20 metre x 9.5 mm (3/8") **Controlled Return** PVC Braided Hose

58.5089 - 20 metre x 9.2 mm (3/8") **Controlled Return** Extreme Hose

58.5089NA - 65 ft x 3/8" **Controlled Return** Extreme Hose

**UK
CA** **CE** COMPLIES WITH
EN12645: 2014*

AIR HOSE REEL PRO SERIES - CONTROLLED RETURN

Extreme Ultraflex Reinforced Hose is a special blend of hose that has been developed for today's demanding conditions, it stay flexible in the cold and doesn't kink in the heat, allowing full flow in all-weather conditions. It's a tough hose for tough conditions

FEATURES

- Hose layering system
- Auto lock / auto rewind
- Solid brass internal spindle
- No tools required adjustable hose stop
- Wall mount with 180° pivot
- Weather resistant UV stabilised polypropylene case
- Leader hose 2 m with brass fittings
- Includes Jamec Pem Extreme Ultraflex Hose

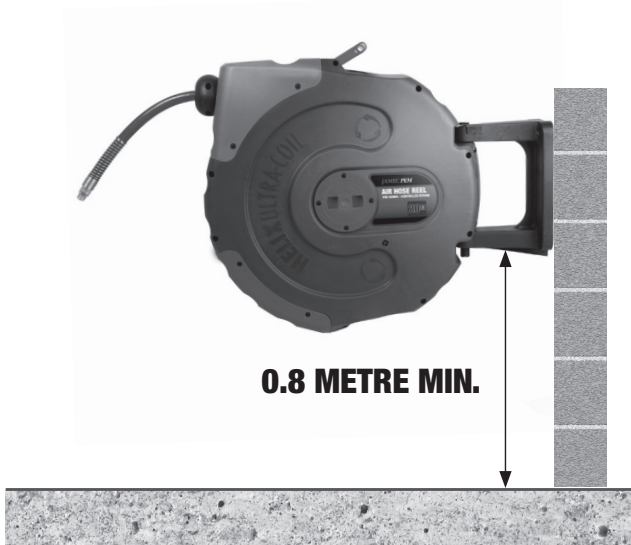
PRODUCT IDENTIFICATION

1. Mounting bracket
2. Optional fixed in-line locking plate
3. Pivot pin
4. Fully enclosed case
5. Carry handle
6. Solid brass internal spindle
7. 2 metre leader hose
8. Hose with adjustable stopper



SPECIFICATIONS					
Part no.	58.5012	58.5034	58.5056	58.5067	58.5089 (58.5089NA)
Hose length	32 m	20 m	15 m	20 m	20 m (65 FT)
Hose I.D	8 mm (5/16")	9.5 mm (3/8")	12.5 mm (1/2")	9.5 mm (3/8")	9.2 mm (3/8")
Hose O.D	12 mm (1/2")	16 mm (5/8")	18.5 mm (3/4")	16 mm (5/8")	15.2 mm (5/8")
Leader hose length	2 m with 1/4" BSP Male fitting	2 m with 1/4" BSP Male fitting	2 m with 3/8" BSP Male fitting	2 m with 1/4" BSP Male fitting	2 m (6.5') with 1/4" BSP Male fitting (1/4")
Hose material	Reinforced PU braided	Reinforced PVC braided	Reinforced PVC braided	Reinforced PVC braided	Extreme Ultraflex Reinforced Hose
Reel / case type	Controlled return / polypropylene	Controlled return / polypropylene	Controlled return / polypropylene	Controlled return / polypropylene	Controlled return / polypropylene
Auto lock / rewind	Yes	Yes	Yes	Yes	Yes
Max. working pressure	250 psi	300 psi	300 psi	300 psi	300 psi
Fitting size	1/4" BSP Male	1/4" BSP Male	3/8" BSP Male	1/4" BSP Male	1/4" BSP Male (1/4")
Bracket	180° Pivoting	180° Pivoting	180° Pivoting	180° Pivoting	180° Pivoting
Weight	9.7 kg	8.8 kg	8.6 kg	8.8 kg	8.6 kg
Product dimensions	569 L x 246.4 W x 441.6 D mm	569 L x 246.4 W x 441.6 D mm	569 L x 246.4 W x 441.6 D mm	569 L x 246.4 W x 441.6 D mm	569 L x 246.4 W x 441.6 D mm
Advised application	Air (long reach)	Air	Air (high volume)	Air	Air

JAMEC PEM



INSTALLATION

The Jamec Pem Air Hose Reel Pro Series Controlled Return can be mounted in a horizontal or vertical position.

1. Choose a location that is near to the compressed air source.
2. For large areas, place the hose reel at the centre of the work area.
3. When mounting the hose reel vertically, ensure there is adequate clearance under the reel to prevent injury or damage.
4. Mounting bracket must be installed on a flat surface.

Note: It is recommended to install hose reel mounting bracket no higher than 2 metres above floor level, provided operating instructions are followed.

5. Drill 4 x M8 holes to match the holes located in the mounting bracket. (Fig. 1)
6. Connect the hose reel to the mounting bracket with the pivot pin. (Fig. 2)

Note: For fixed in-line position, fit the locking plate onto the Mounting Bracket prior to inserting the pivot pin. (Fig. 3)

7. Connect the inlet leader hose to the compressed air source.

Note: Apply thread sealing tape to all air line and air hose fittings.

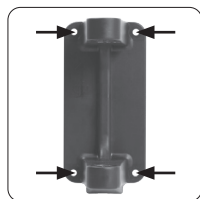


Fig. 1 Mounting bracket

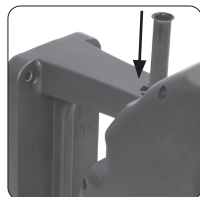


Fig. 2 Pivot pin

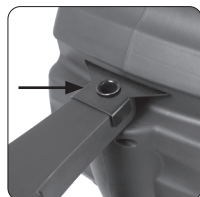


Fig. 3 Locking plate

OPERATION

1. Slowly pull out the hose to the required length. A 'clicking' noise will be heard every revolution of the inner drum. To lock the reel, allow the hose to retract slowly after hearing the second or third 'click'.
2. To release the hose, pull out the hose until the 'clicking' noise stops, and then allow the hose to slowly retract while guiding the hose back into the hose reel. The self layering mechanism will coil the hose back onto the inner drum.
3. **To avoid injury and damage, always hold the hose while it is retracting.**

IMPORTANT

If the hose becomes tangled and will not retract - slowly pull out the hose past the tangled section and then allow the hose to slowly retract while guiding the hose back into the hose reel.

Always ensure the hose is clean and not twisted.

MAINTENANCE

- Always keep the hose clean.
- If the hose becomes dirty, clean it with a damp cloth while retracting.
- DO NOT twist the hose while in use.
- Mount the hose reel in a sheltered area to assist and protect the performance of the hose and hose reel.
- DO NOT allow the hose to contact any corrosive chemicals or fluids.
- Always retract the hose when not in use.
- The Jamec Pem Air Hose Reel Pro Series Controlled Return contains a pre-tensioned spring inside the inner drum assembly. **Do not attempt to open the inner drum assembly.**

WARRANTY & CLAIM PROCEDURE

The Jamec Pem Air Hose Reel Pro Series Controlled Return is covered against defects in material and workmanship for a period of 2 years from the purchase date recorded on the owner's invoice or receipt.

In the instance of a warranty claim, the owner will be entitled to a replacement unit or a sufficient repair of the defective part/s and or component/s to ensure normal operating condition of the hose reel.

WARRANTY EXCLUSIONS

The hose, rubber o-rings and hose stopper are deemed normal wear items and are not covered under warranty.

The warranty does not extend to parts or components affected or damaged by accident, normal wear, misuse, neglect or faulty installation.

To register a warranty claim visit jamecpem.com

UK CA CE COMPLIES WITH EN12645: 2014*

JAMEC PEM

Distributed by **TRADEPEM INDUSTRIAL PTY LTD.**