

JAMEC PEM

WATER HOSE REEL PRO SERIES - RETRACTABLE 20 M



OPERATING INSTRUCTIONS
PRODUCT NO. 58.1045

UK CA CE COMPLIES WITH
EN12645: 2014*

jamecpem.com

[@jamecpem](https://www.facebook.com/jamecpem) [@jamecpem](https://www.instagram.com/jamecpem)

WATER HOSE REEL

PRO SERIES - RETRACTABLE 20 M

With the unique Helix Ultra-Coil hose layering system, combined with a precision machined solid brass central spindle, the Jamec Pem Pro Series Hose Reels are ideally suited for the trade or industrial workshop

FEATURES

- Hose layering system
- Auto lock / rewind
- Solid brass internal spindle
- Adjustable hose stop
- Wall mount with 180° pivot
- Weather resistant UV stabilised polypropylene case
- Leader hose 2 m with brass fittings
- Includes water trigger gun

SPECIFICATIONS

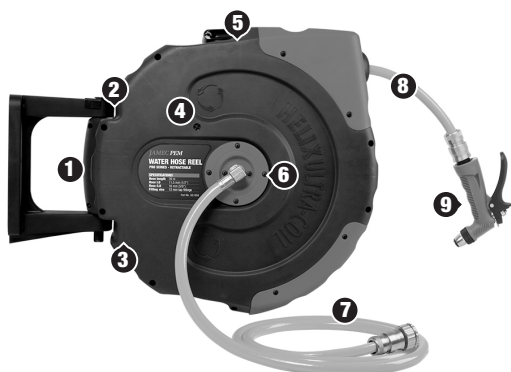
Hose length	20 m
Hose I.D	11.5 mm (1/2")
Hose O.D	16 mm (5/8")
Leader hose length	2 m Brass tap female fitting
Hose material	Reinforced PVC braided
Reel / case type	Retractable / polypropylene
Auto lock / rewind	Yes
Max. working pressure	150 psi
Fitting size	12 mm Tap fittings
Bracket	180° Pivoting
Product dimensions	440 L x 210 W x 400 H mm
Weight	8.2 kg
Application	Water

MAINTENANCE

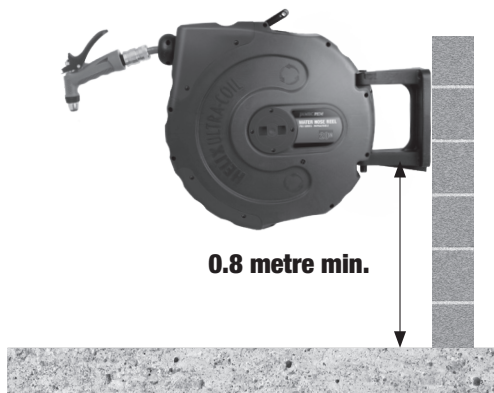
- Always keep the hose clean.
- If the hose becomes dirty, clean it with a damp cloth while retracting.
- DO NOT twist the hose while in use.
- Mount the hose reel in a sheltered area to assist and protect the performance of the hose and hose reel.
- DO NOT allow the hose to contact any corrosive chemicals or fluids.
- Always retract the hose when not in use.
- The Jamec Pem Water Hose Reel Pro Series Retractable contains a pre-tensioned spring inside the inner drum assembly.

Do not attempt to open the inner drum assembly.

PRODUCT IDENTIFICATION



1. Mounting bracket
2. Optional fixed in-line locking plate
3. Pivot pin
4. Fully enclosed case
5. Carry handle
6. Solid brass internal spindle
7. 2 Metre leader hose
8. Hose with adjustable stopper
9. Water gun



0.8 metre min.

INSTALLATION

The Jamec Pem Water Hose Reel Pro Series Retractable can be mounted in a horizontal or vertical position.

1. Choose a location that is near to the water source.
2. For large areas, place the hose reel at the centre of the work area.
3. When mounting the hose reel vertically, ensure there is adequate clearance under the reel to prevent injury or damage.
4. Mounting bracket must be installed on a flat surface.
5. Note: It is recommended to install the mounting bracket 0.8 metre (minimum) above the floor level.
6. Drill 4 x M8 holes to match the holes located in the Mounting Bracket.(Fig. 1)
7. Connect the hose reel to the Mounting Bracket with the Pivot Pin.(Fig. 2)

Note: For fixed in-line position, fit the locking plate onto the Mounting Bracket prior to inserting the pivot pin. (Fig. 3)

8. Connect the inlet leader hose to the water source using the tap fittings supplied.

OPERATION

1. Slowly pull out the hose to the required length. A 'clicking' noise will be heard every revolution of the inner drum. To lock the reel, allow the hose to retract slowly after hearing the second or third 'click'.
2. To release the hose, pull out the hose until the 'clicking' noise stops, and then allow the hose to slowly retract while guiding the hose back into the hose reel. The self layering mechanism will coil the hose back onto the inner drum.
3. **To avoid injury and damage, always hold the hose while it is retracting.**

IMPORTANT:

If the hose becomes tangled and will not retract - slowly pull out the hose past the tangled section and then allow the hose to slowly retract while guiding the hose back into the hose reel.

Always ensure the hose is clean and not twisted.



Fig. 1 Mounting Bracket

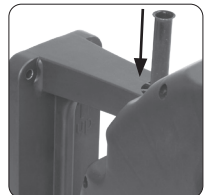


Fig. 2 Pivot Pin



Fig. 3 Locking Plate

JAMEC PEM

WARRANTY & CLAIM PROCEDURE

The Jamec Pem Water Hose Reel Pro Series Retractable 58.1045 is covered against defects in material and workmanship for a period of 2 years from the purchase date recorded on the owner's invoice or receipt.

In the instance of a warranty claim, the owner will be entitled to a replacement unit or a sufficient repair of the defective part/s and or component/s to ensure normal operating condition of the hose reel.

WARRANTY EXCLUSIONS

The hose, rubber o-rings and hose stopper are deemed normal wear items and are not covered under warranty.

The warranty does not extend to parts or components affected or damaged by accident, normal wear, misuse, neglect or faulty installation.



To register a warranty claim visit: jamecpem.com

**UK
CA** **CE** COMPLIES WITH
EN12645: 2014*

JAMEC PEM

Distributed by
TRADEPEM INDUSTRIAL PTY LTD.

jamecpem.com

 @jamecpem  @jamecpem